



Wattage & Color Temperature
SELECTABLE

T634LEDB-S-WS40

SMALL LED FULL CUT-OFF WALL PACK

JOB INFORMATION

Type: _____
 Catalog No: _____
 Project Name: _____
 Comments: _____
 Prepared by: _____

T633LEDB

USE OF PRODUCT

The intended use of this product is for any outdoor commercial or industrial building accent, pedestrian walkways, public access areas, or recreation areas.

HOUSING

Rugged die cast aluminum housing with hinged frame. 0.87" Coin plugs for photocell and motion sensor

FINISH

Matt-finished, architectural bronze powdercoat over a precise chromate conversion coating. Available in standard dark polyester bronze or consult factory for made to order architectural finishes.

OPTICS

Field-adjustable optics, allowing the light distribution to be modified in the field to T2, T3, or T4.

LED

LED engine available in 3000K, 4000K, 5000K in 80 CRI. Color temperature may be modified in field.

DRIVER

Durable and long lasting LED driver operates at 120-277V and boasts a 90% power factor at 50/60 Hz with 0-10V Dimming Constant Current. Fixture is Wattage selectable (20W, 30W, 40W). Wattage may be modified in field.

MOUNTING

Cast-in template for mounting directly over a 4" recessed junction box.

LISTINGS/COMPLIANCE

- UL - Listed for wet location.
- DLC qualified.
- Dark Sky Compliant.
- CEC compliant emergency driver.
- IP65.

PERFORMANCE DATA

Wattage	Delivered Lumens	Voltage	CRI
20W	3500lm	120-277V	80
30W	4200lm	120-277V	80
40W	5600lm	120-277V	80

140 lm per watt

*Detailed performance chart may be found on page 2

ORDERING INFO

SERIES	SIZE	WATT/LUMENS	COLOR TEMPERATURE	VOLTAGE	DISTRIBUTION TYPE
T634LEDB	S - Small	WS40 - Wattage Selectable (20W, 30W, 40W) S20W - Wattage set at 20W S30W - Wattage set at 30W S40W - Wattage set at 40W	CTS - Color Temperature Selectable (3000K, 4000K, 5000K) S30K - Color Temp. set at 3000K S40K - Color Temp. set at 4000K S50K - Color Temp. set at 5000K	UNV - 120V-277V	DS - Distribution Selectable ST2 - Set at Type II ST3 - Set at Type III ST4 - Set at Type IV

FINISH	INCLUDED	OPTIONS
BZ - Bronze MTO - Made to Order MGTO - Marine Grade Made to Order	PC - Photocell 120-127V	MSR - Standard PIR Motion Sensor Remote EM8W - 8W Emergency Battery



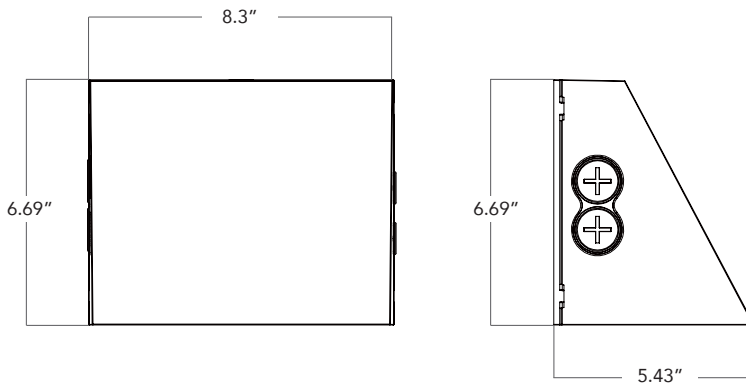
T634LEDB-S-WS40

SMALL LED FULL CUT-OFF WALL PACK

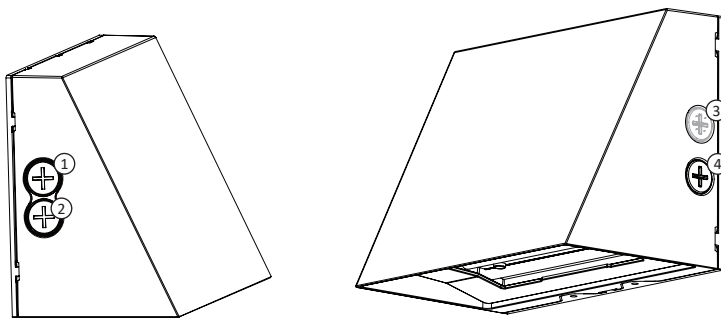
DETAILED PERFORMANCE CHART

WATTAGE	DISTRIBUTION TYPE	CRI	3000K	4000K	5000K	BUG
20W	T2	80	2999 lm	3156 lm	3152 lm	B1-U0-G1
	T3	80	2917 lm	3036 lm	3048 lm	B1-U0-G1
	T4	80	2867 lm	2970 lm	3011 lm	B1-U0-G1
30W	T2	80	4157 lm	4427 lm	4370 lm	B2-U0-G1
	T3	80	4049 lm	4243 lm	4251 lm	B2-U0-G1
	T4	80	4006 lm	4131 lm	4159 lm	B2-U0-G1
40W	T2	80	5403 lm	5833 lm	5701 lm	B2-U0-G1
	T3	80	5318 lm	5619 lm	5615 lm	B2-U0-G1
	T4	80	5147 lm	5405 lm	5457 lm	B2-U0-G1

DIMENSIONS



OPTIONS & SETTINGS



1. Distribution type & color temperature switch
2. Wattage selection switch
3. Photocell (included)
4. Remote motion sensor (order separately)